



GLOBEFAN TECHNOLOGY CO., LTD.

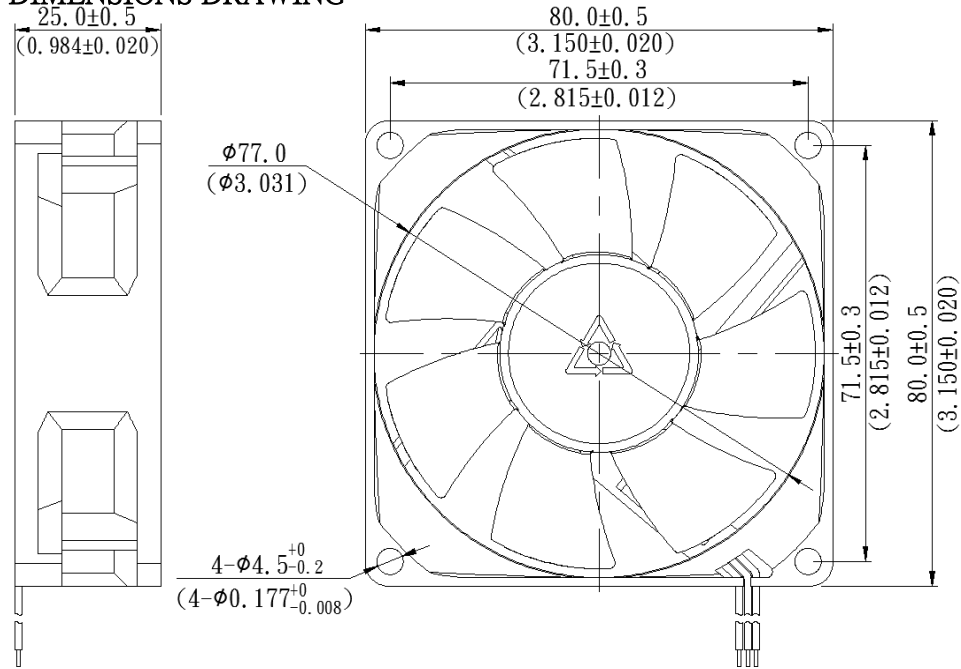
No. 28, 3 Lane Zhongxinjin Road, Jin Industry District Shoei Koou Village,

Da Laang Town, Dungguan City, Guangdong Province, China

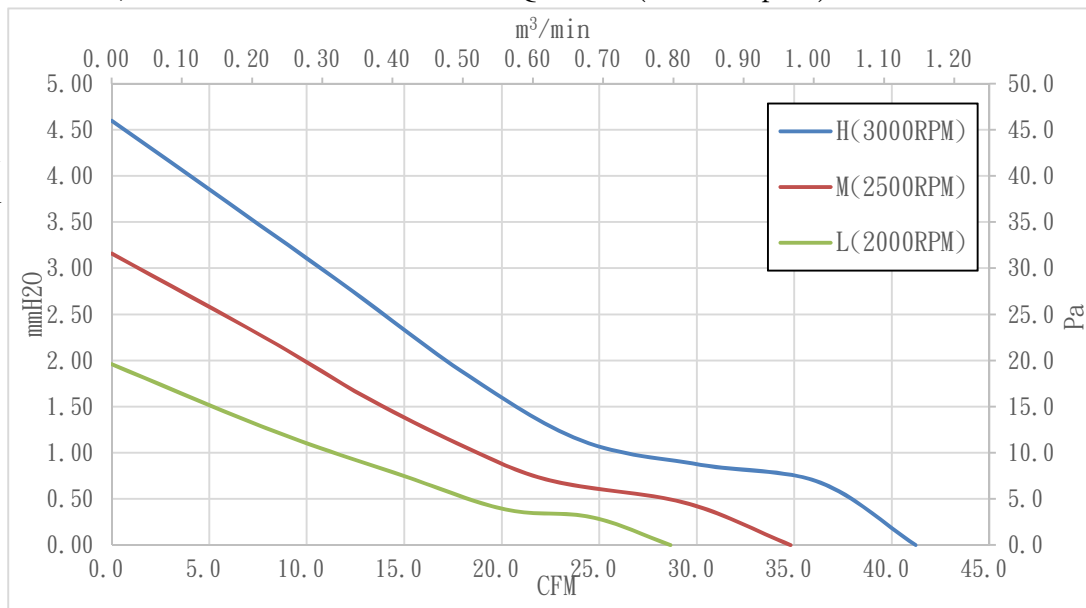
Tel : +86 769 83182898~9

Fax : +86 769 83182897

◆ DIMENSIONS DRAWING



◆ 80x80x25mm DC Axial Fan P/Q Curves (At rated speed)A Version



* BEARING TYPE

- Ball bearing
- Sleeve bearing

* Electrical Function

- Frequency Generator Output Signal
- RD (Lock Detection) Output Signal

* Material

- Impeller: Plastic (PBT 30%GF)
- Frame : Plastic (PBT 30%GF)

* Lead wires

- UL1007 26AWG or Equivalent
- Black Wire Negative (-)
- Red or Yellow Wire Positive (+)
- White Wire Signal (FG)

* Weight :67.4g (2.38 oz)

MODEL	Operating Voltage Range	Rated Voltage	Rated Current	Rated Input Power	Speed	Maximum Air Flow		Maximum Air Pressure		Noise
Part No.	VDC	VDC	Amp	Watts	R.P.M	m ³ /min	CFM	mmH ₂ O	Pa	dB(A)
B/S01138812H-3M	6 ~13.8	12	0.23	2.8	3000±10%	1.17	41.21	4.60	45.11	33.2
B/S01138812M-3M	6 ~13.8	12	0.17	2.0	2500±10%	0.98	34.80	3.16	30.99	28.8
B/S01138812L-3M	6~13.8	12	0.12	1.4	2000±10%	0.81	28.64	1.96	19.22	24.1
B/S01138824H-3M	12 ~ 26	24	0.17	4.1	3000±10%	1.17	41.21	4.60	45.11	33.2
B/S01138824M-3M	12 ~ 26	24	0.12	2.9	2500±10%	0.98	34.80	3.16	30.99	28.8
B/S01138824L-3M	12 ~ 26	24	0.08	1.9	2000±10%	0.81	28.64	1.96	19.22	24.1

* Function type is optional.

* The max. air flow and speed are measured in free air; max. air pressure is measured at close to zero air flow.

* Noise is measured in anechoic chamber in free air, one meter from intake side.

* All readings are typical values at rated voltage.

* Specifications are subject to change without notice.